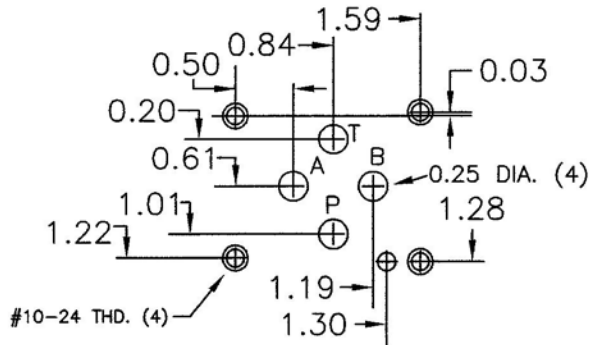


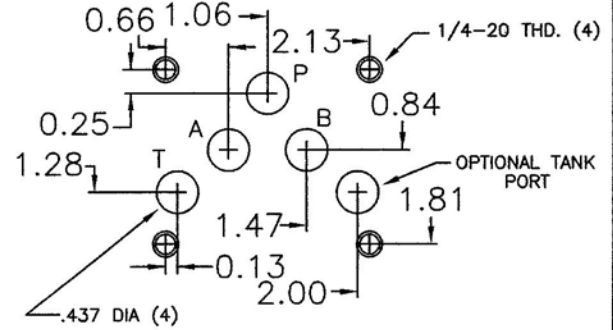
VALVE INTERFACE DIMENSIONS

NOTE: THESE DIMENSIONAL DRAWINGS ARE FOR REFERENCE ONLY
ALL PORTS SHOWN ARE NOT USED IN ALL CASES

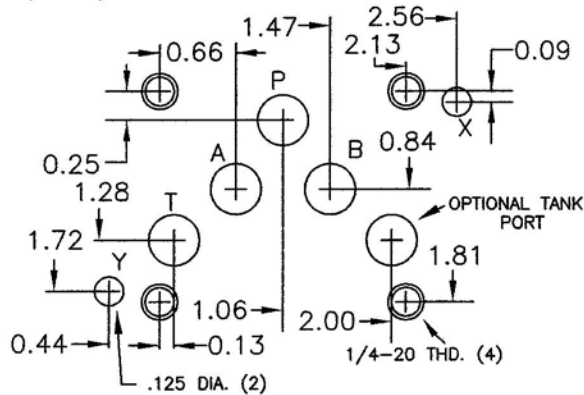
BY (D03)



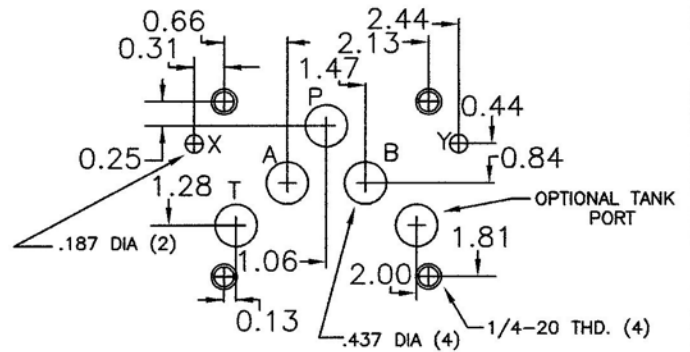
A (D05)



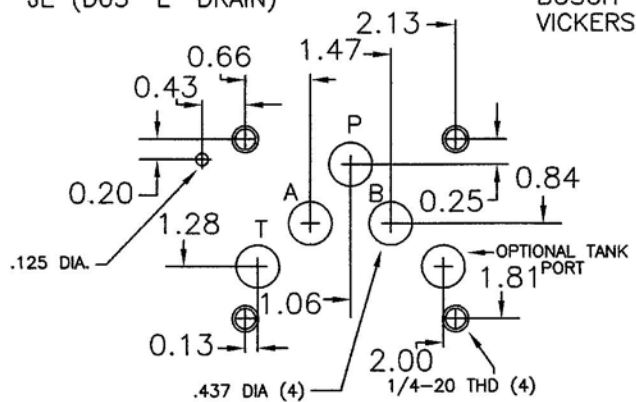
KC (D05H)



CC (D05HE)

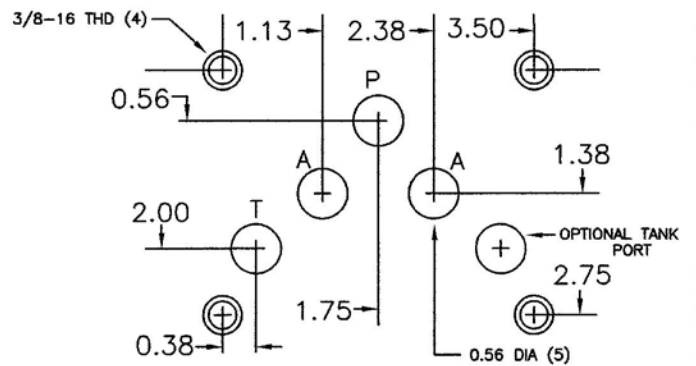


JE (D05 "L" DRAIN)



BOSCH
VICKERS

B (D06)



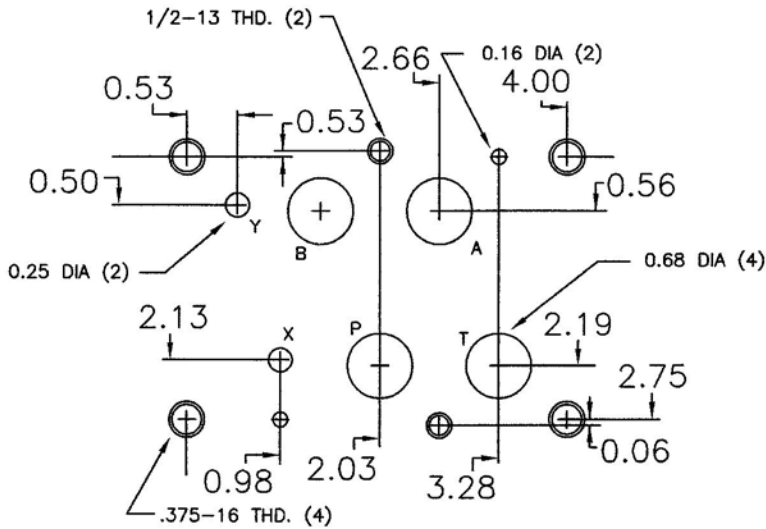
MED-KAS HYDRAULICS, INC.
P.O. BOX 1163 1419 JOHN R
TROY, MI. 48099 TROY, MI. 48083
TEL: 248-585-3220 FAX # 248 585-0646
WEB SITE: www.med-kas.com E-MAIL: info@med-kas.com

SPECIFICATIONS SUBJECT TO CHANGE WITHOUT NOTICE

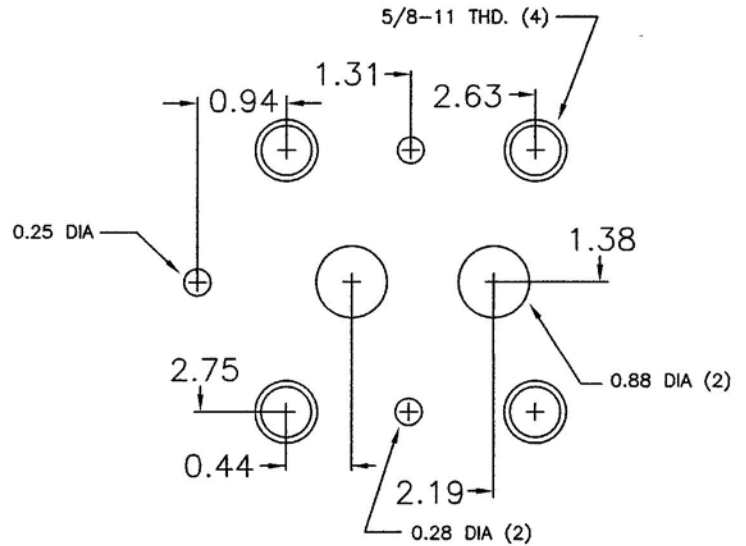
VALVE INTERFACE DIMENSIONS

NOTE: THESE DIMENSIONAL DRAWINGS ARE FOR REFERENCE ONLY
ALL PORTS SHOWN ARE NOT USED IN ALL CASES

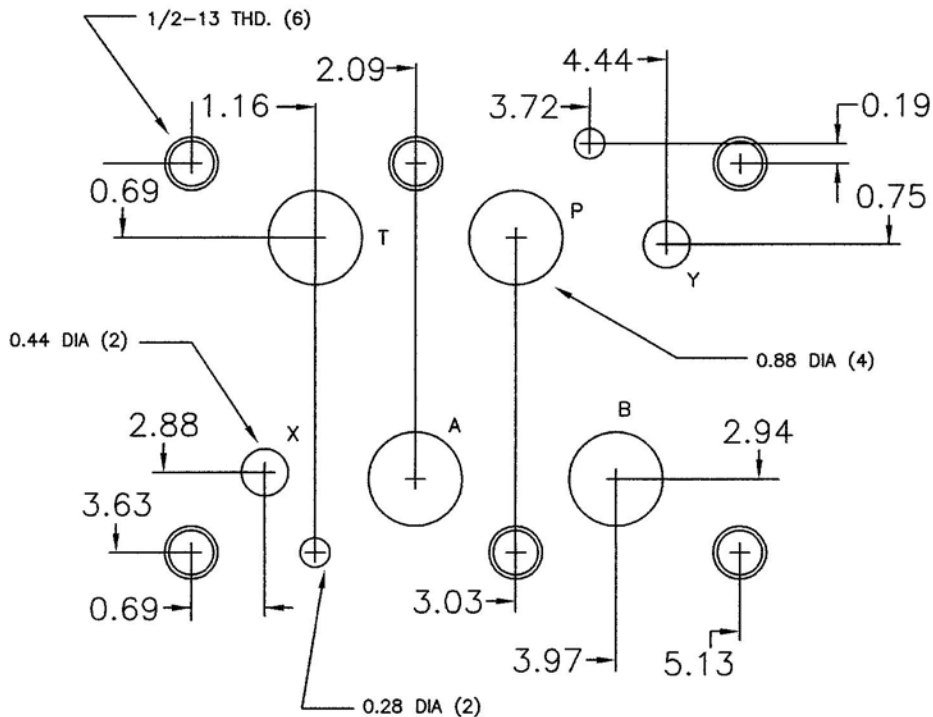
BE (D07)



BL (VICKERS CG-06)



CV (D08)



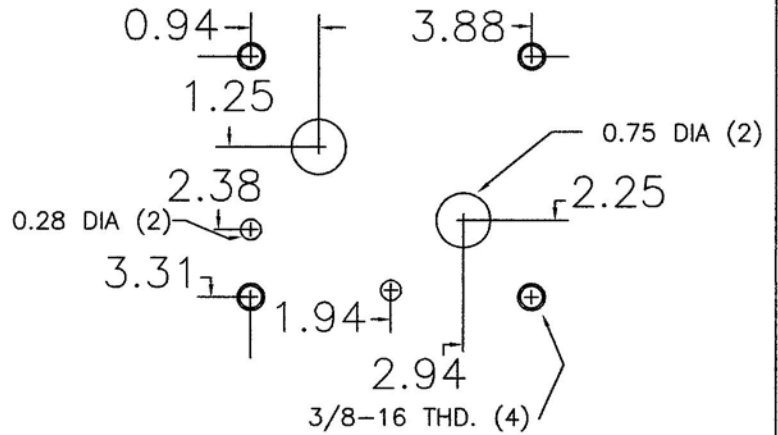
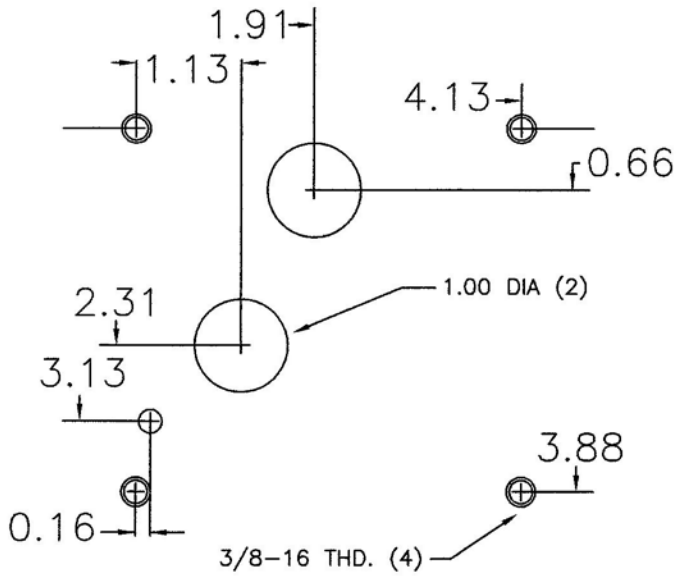
MED-KAS HYDRAULICS, INC.
 P.O. BOX 1163 1419 JOHN R
 TROY, MI. 48099 TROY, MI. 48083
 TEL: 248-585-3220 FAX # 248 585-0646
 WEB SITE: www.med-kas.com E-MAIL: info@med-kas.com

VALVE INTERFACE DIMENSIONS

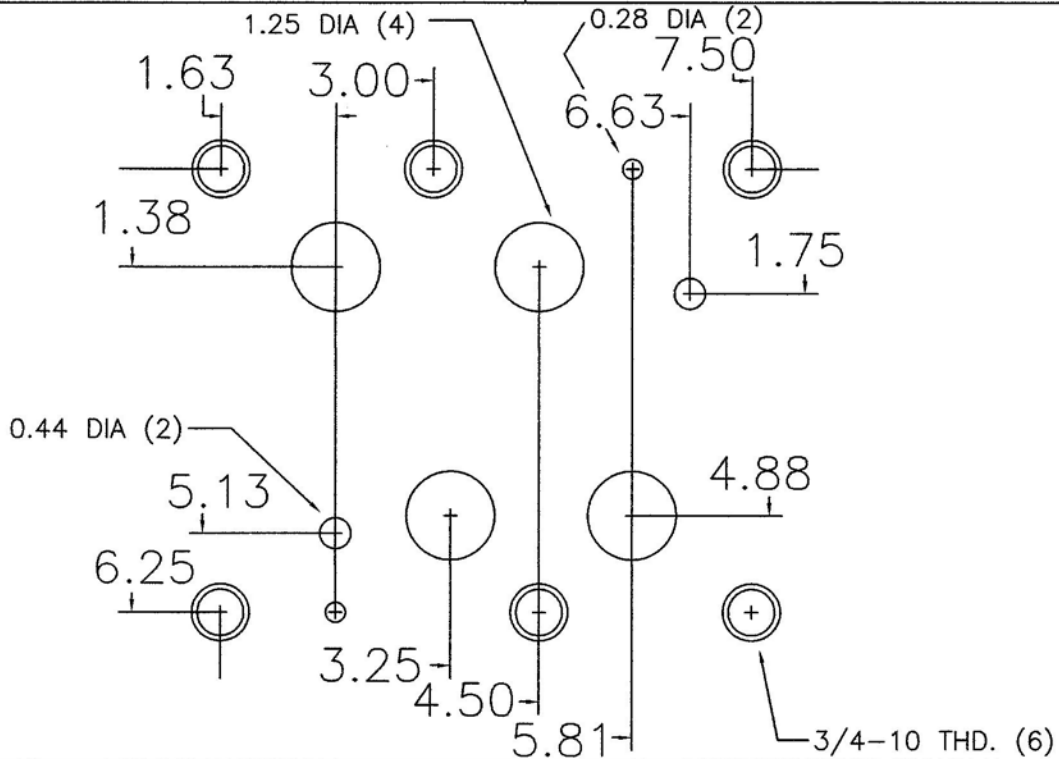
NOTE: THESE DIMENSIONAL DRAWINGS ARE FOR REFERENCE ONLY
ALL PORTS SHOWN ARE NOT USED IN ALL CASES

DE (2BF07)

BA (DG-15S-060-10)



D (D10)



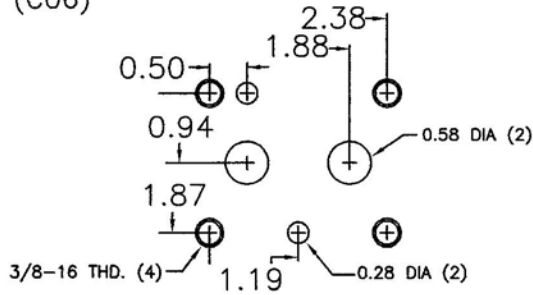
MED-KAS HYDRAULICS, INC.
 P.O. BOX 1163 1419 JOHN R
 TROY, MI. 48099 TROY, MI. 48083
 TEL: 248-585-3220 FAX # 248 585-0646
 WEB SITE: www.med-kas.com E-MAIL: info@med-kas.com

SPECIFICATIONS SUBJECT TO CHANGE WITHOUT NOTICE

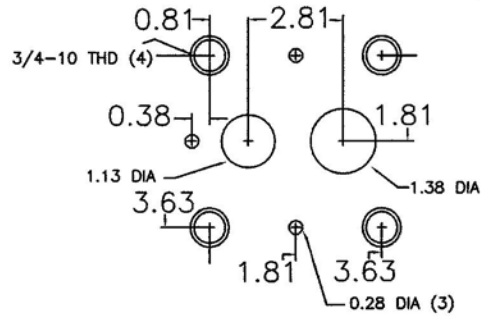
VALVE INTERFACE DIMENSIONS

NOTE: THESE DIMENSIONAL DRAWINGS ARE FOR REFERENCE ONLY
ALL PORTS SHOWN ARE NOT USED IN ALL CASES

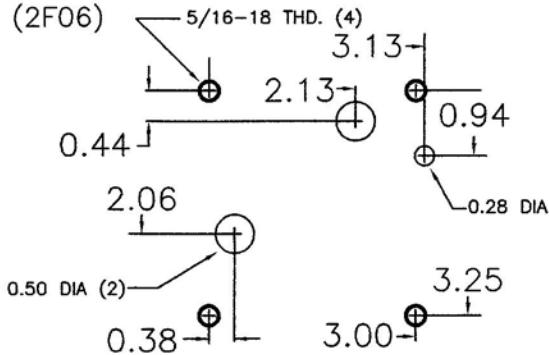
AK (C06)



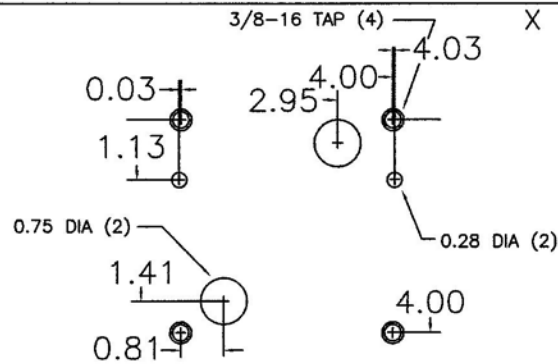
F (C09)



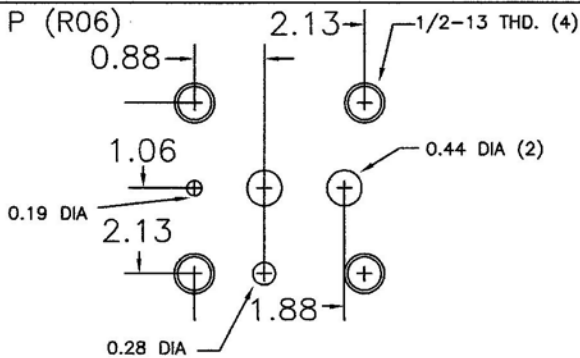
U (2F06)



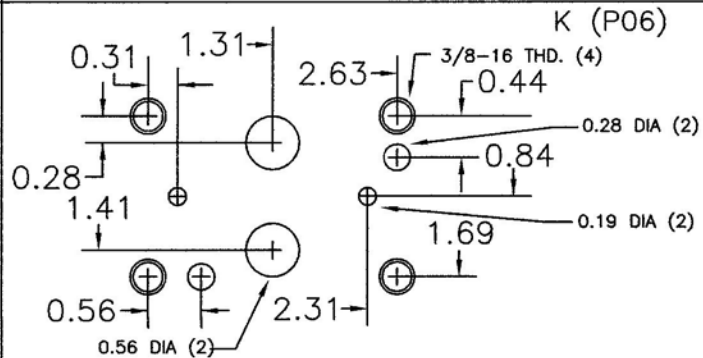
X (2F07)



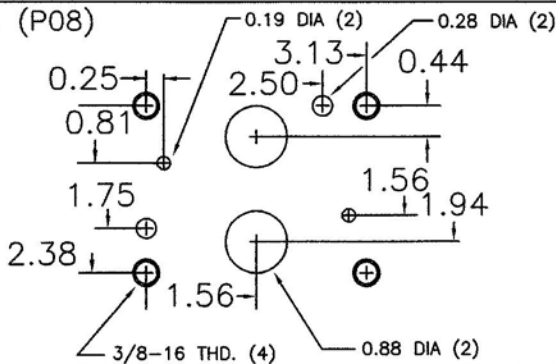
P (R06)



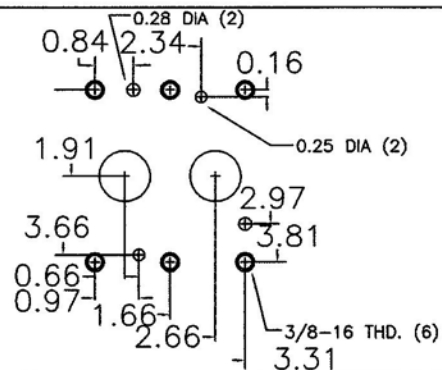
K (P06)



L (P08)



N (P10)



MED-KAS HYDRAULICS, INC.
P.O. BOX 1163 1419 JOHN R
TROY, MI. 48099 TROY, MI. 48083
TEL: 248-585-3220 FAX # 248 585-0646
WEB SITE: www.med-kas.com E-MAIL: info@med-kas.com

VALVE CROSS REFERENCE

NEW NFPA *

D03
D05
D05H
D06
D07
I08
D08
D10
2F06
3F06
2F07
3F07
2FB07
2F08
2F09
C06
C08
C09
P06,P0C06,RP06
P08,P0C08,RP08
P10,P0C09,RP10
R06
R08
R10

MED-KAS

BY
A
JE,KC,CC
B
BE
BL
CV
D
U
OO
X
ON
DE
BE
BD
AK
E
F
K
L
N
P
Q
R

* NFPA
NATIONAL FLUID POWER ASSOCIATION
AMERICAN NATIONAL STANDARD ANSO/B93.7M-1986
HYDRAULIC VALVE MOUNTING INTERFACES



MED-KAS HYDRAULICS, INC.
P.O. BOX 1163 1419 JOHN R
TROY, MI. 48099 TROY, MI. 48083
TEL: 248-585-3220 FAX # 248 585-0646
WEB SITE: www.med-kas.com E-MAIL: info@med-kas.com

SPECIFICATIONS SUBJECT TO CHANGE WITHOUT NOTICE

PORT SIZE CROSS REFERENCE

PIPE THREAD CODING

4P = 1/4-18 NPT
6P = 3/8-18 NPT
8P = 1/2-14 NPT
12P = 3/4-14 NPT
16P = 1-11-1/2 NPT
20P = 1-1/4-11-1/2 NPT
24P = 1-1/2-11-1/2 NPT
32P = 2-11-1/2 NPT

S.A.E STRAIGHT THREAD CODING

2T = 5/16-24
3T = 3/8-24
4T = 7/16-20
5T = 1/2-20
6T = 9/16-18
8T = 3/4-16
10T = 7/8-14
12T = 1-1/16-12
14T = 1-3/16-12
16T = 1-5/16-12
20T = 1-5/8-12
24T = 1-7/8-12
32T = 2-1/2-12

S.A.E 4 BOLT FLANGE CODING *

6F = 3/4
8F = 1.00
10F = 1-1/4
12F = 1-1/2
16F = 2.00
20F = 2-1/2
24F = 3.00
32F = 4.00
40F = 5.00

BRITISH STANDARD PARALLEL PIPE

BRITISH STANDARD TAPERED PIPE

4BSPP = 1/4-19
6BSPP = 3/8-19
8BSPP = 1/2-14
12BSPP = 3/4-14
16BSPP = 1.00-11
20BSPP = 1-1/4-11
24BSPP = 1-1/2-11
32BSPP = 2.00-11

NOTE

FLANGE SIZE DESIGNATIONS DO NOT
CORRESPOND TO THE NPT, OR THE
S.A.E NUMBERING CODES.

-3 = 3000 PSI CODE 61
-6 = 6000 PSI CODE 62



MED-KAS HYDRAULICS, INC.
P.O. BOX 1163 1419 JOHN R
TROY, MI. 48099 TROY, MI. 48083
TEL: 248-585-3220 FAX # 248 585-0646
WEB SITE: www.med-kas.com E-MAIL: info@med-kas.com