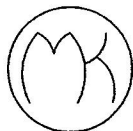
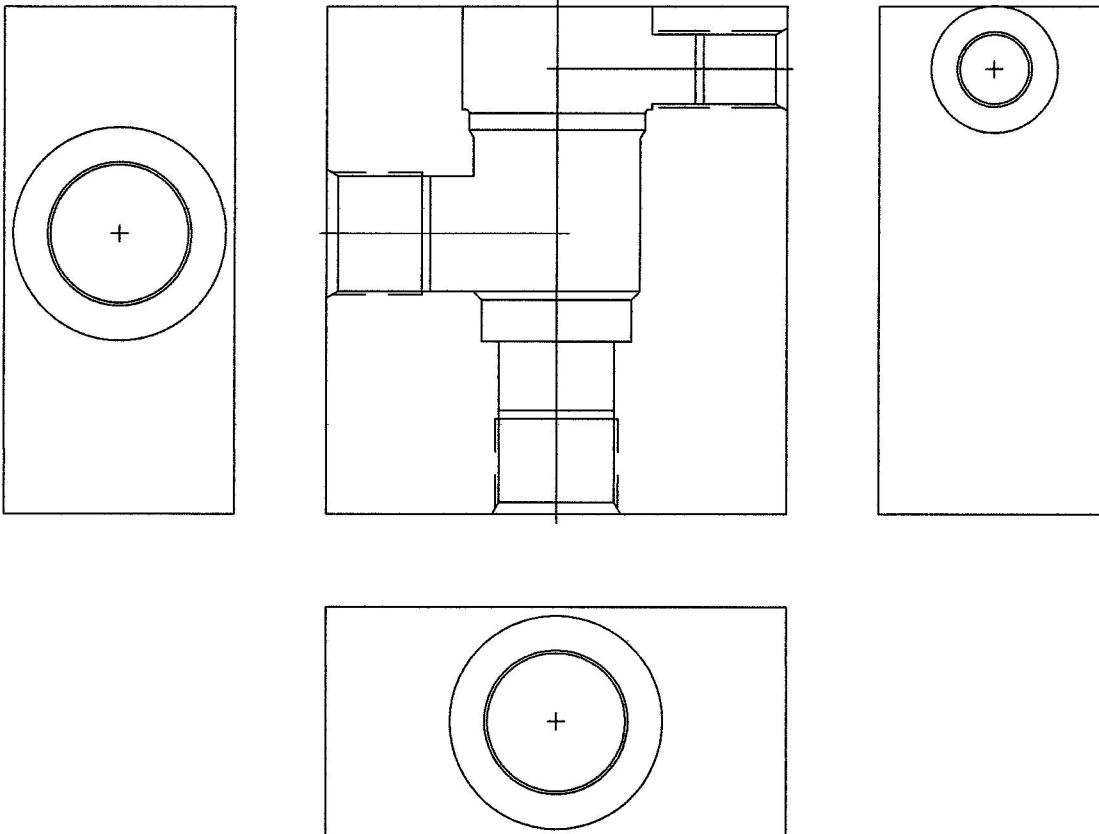


# CARTRIDGE VALVE BODY

SCREW-IN STYLE VALVES

Med-Kas has the tooling to machine cartridge cavities for almost every cartridge size and style that is currently available. Our in-house toolmakers, and toolmaking facilities allows us the ability to quickly, and expertly build the tooling for newly designed cartridges

We can also build blocks to customer's prints, or design to a specific circuit, wether it is a simple standard function, or a complete system.



MED-KAS HYDRAULICS, INC.  
P.O. BOX 1163 1419 JOHN R  
TROY, MI. 48099 TROY, MI. 48083  
TEL: 248-585-3220 FAX # 248 585-0646  
WEB SITE: [www.med-kas.com](http://www.med-kas.com) E-MAIL: [info@med-kas.com](mailto:info@med-kas.com)

SPECIFICATIONS SUBJECT TO CHANGE WITHOUT NOTICE

ORDERING CODE

UNG-25-10-X

CARTRIDGE BLOCK

VALVE SIZE

- 16-16MM
- 25-25MM
- 32-32MM
- 40-40MM
- 50-50MM
- 63-63MM
- 80-80MM
- 100-100MM

NOTE: LARGER SIZES  
AVAILABLE UPON REQUEST

FLANGE CAPACITY

- 3-3000#-STANDARD
- 6-6000#-OPPTIONAL

STANDRARD FLANGE SIZE

- 16-6=3/4
- 25-10=1-1/4
- 32-12=1-1/2
- 40-16=2.000
- 50-20=2-1/2
- 63-24=3.000
- 80MM-SIZE AND PATTERN  
PER REQUEST
- 100MM-SIZE AND PATTERN  
PER REQUEST

NOTE: OTHER FLANGE  
SIZES ARE AVAILABLE  
SOME ARE STOCKED

ALSO AVAILABLE:

PART NO. UNG-16-16-T  
16MM CARTRIDGE WITH NO. 16  
SAE STRAIGHT THREAD  
CONNECTIONS ON A&B.

PART NO. UNG-25-20-T  
25MM CARTRIDGE WITH NO. 20  
SAE STRAIGHT THREAD  
CONNECTIONS ON A&B.



MED-KAS HYDRAULICS, INC.

P.O. BOX 1163 1419 JOHN R  
TROY, MI. 48099 TROY, MI. 48083

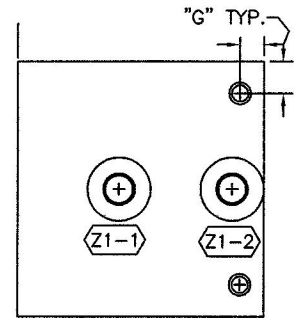
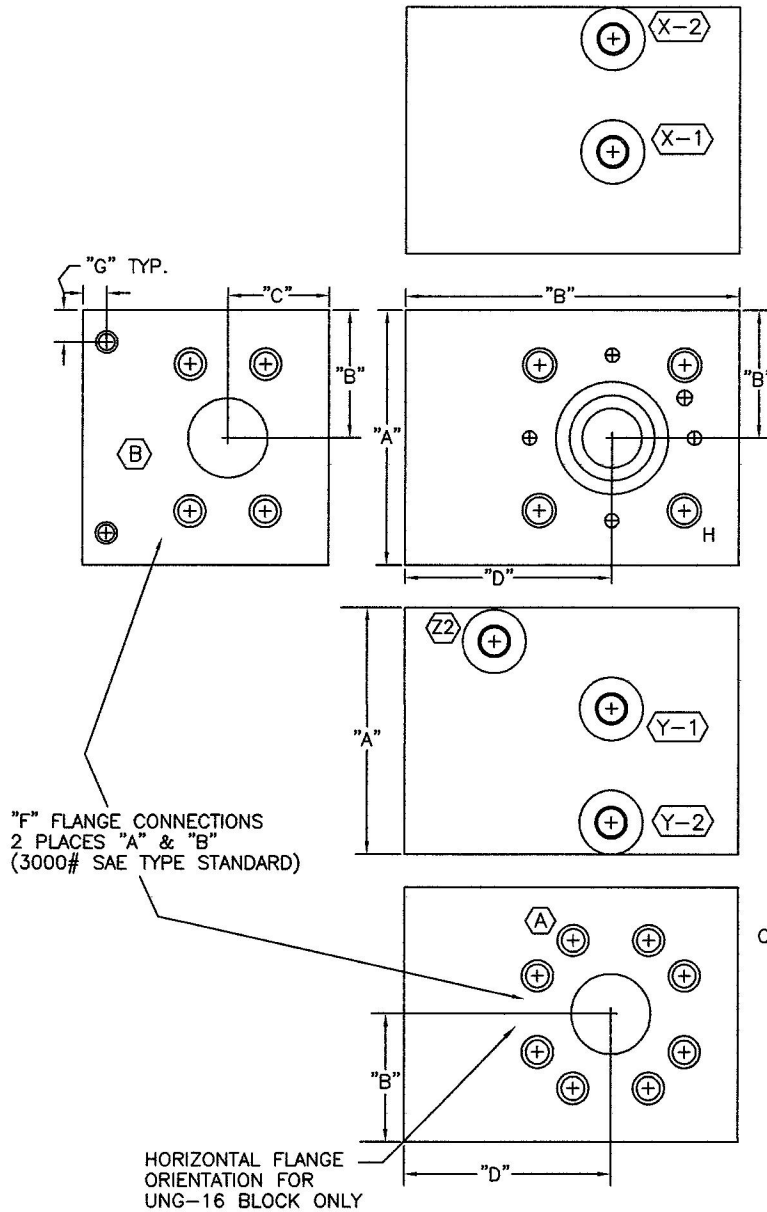
TEL: 248-585-3220 FAX # 248 585-0646

WEB SITE: www.med-kas.com E-MAIL: info@med-kas.com

# CARTRIDGE VALVE BODY

DIN 24342 STANDARD  
DESIGNED WITH REMOVABLE PLUGS  
TO ALLOW ON SITE PILOT ALTERATIONS

MODEL	A	B	C	D	E	F	G	H
UNG16-6-*	3.50	4.50	1.75	1.28	2.75	3/4	0.50	5/16-18
UNG25-10-*	4.00	5.25	2.00	1.59	3.25	1-1/4	0.50	1/2-13
UNG32-12-*	5.00	5.75	2.50	1.88	3.50	1-1/2	0.50	5/8-11
UNG40-16-*	5.50	6.50	2.75	2.31	3.75	2.00	0.50	3/4-10
UNG50-20-*	6.50	8.00	3.25	2.56	4.50	2-1/2	0.50	3/4-10
UNG63-24-*	8.00	10.00	4.00	3.41	6.00	3.00	0.50	1 1/4-7
UNG80-**-*	11.00	12.00	5.50	4.78	6.50	*.**	0.50	1-8
UNG100-**-*	13.00	14.00	6.50	5.59	7.50	*.**	0.75	



ALL BLOCKS ARE SHIPPED WITH PILOT LINES TAKEN TO REMOVE CONNECTIONS. AN INSTRUCTION SHEET IS PROVIDED TO SHOW WHAT PLUGS MUST BE ADDED OR REMOVED TO ACHIEVE REQUIRED FUNCTION.

NOTE: MED-KAS HYDRAULICS CANNOT BE HELD RESPONSIBLE FOR INAPPROPRIATE PLUG MODIFICATION AFTER THE BLOCK LEAVES THE FACTORY.

PART NO. UNG-16-6-\*

CARTRIDGE BLOCK VALVE SIZE

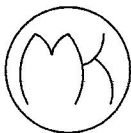
- 16-16MM
- 25-25MM
- 32-32MM
- 40-40MM
- 50-50MM
- 63-63MM
- 80-80MM
- 100-100MM

FLANGE CAPACITY

- 3-3000#-STANDARD
- 6-6000#-OPTIONAL

STANDARD FLANGE SIZE

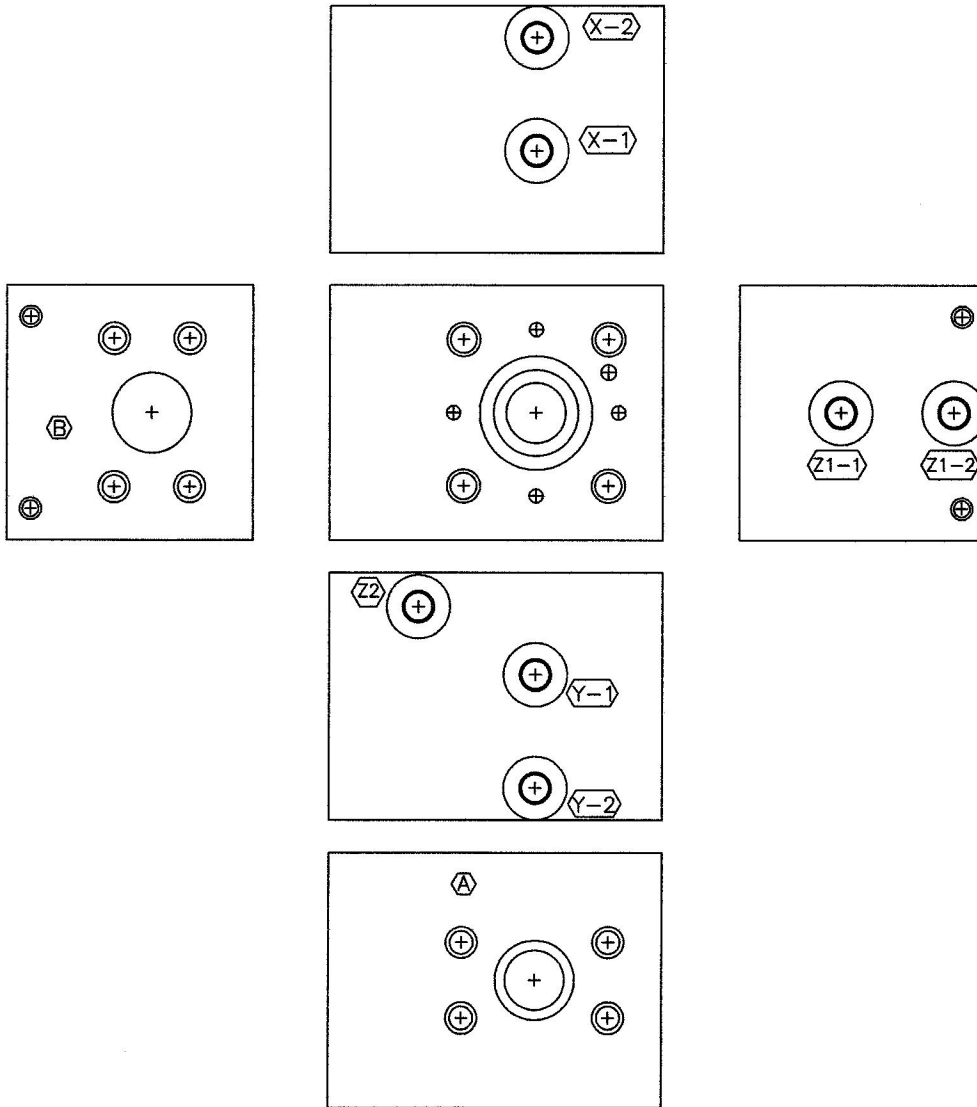
- 16-6=3/4
- 25-10=1-1/4
- 32-12=1-1/2
- 40-16=2.00
- 50-20=2-1/2
- 63-24=3.00
- 80MM-SIZE AND PATTERN PER REQUEST
- 100MM-SIZE AND PATTERN PER REQUEST



MED-KAS HYDRAULICS, INC.  
P.O. BOX 1163 1419 JOHN R  
TROY, MI. 48099 TROY, MI. 48083  
TEL: 248-585-3220 FAX # 248 585-0646  
WEB SITE: www.med-kas.com E-MAIL: info@med-kas.com

SPECIFICATIONS SUBJECT TO CHANGE WITHOUT NOTICE

# PLUG CONFIGURATION INSTRUCTIONS

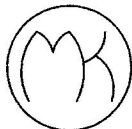


NOTE: MED-KAS HYDRAULICS CANNOT BE HELD RESPONSIBLE FOR INAPPROPRIATE PLUG MODIFICATION AFTER THE BLOCK LEAVES THE FACTORY.

"T" DESIGNATES STRAIGHT THREAD  
"P" DESIGNATES PIPE THREAD

	EXTERNAL PLUG NO. 6 SAE	INTERNAL PLUG 1/16 NPT
PILOT CONNECTION	PORT TO RE-PLUG	PORT TO UNPLUG
X TO A	X2-T	X2-P
X TO B	X1-T	X1-P
Y TO A	Y2-T	Y2-P
Y TO B	Y1-T	Y1-P
Z1 TO A	Z1-2-T	Z1-2-P
Z1 TO B	Z1-1-T	Z1-1-P

BLOCKS ARE SHIPPED WITH ALL PLUGS INSTALLED FOR USE OF PILOT PORTS EXTERNALLY, REMOVE APPROPRIATE #6 SAE PLUG AS NEEDED.  
EXAMPLE: X EXTERNAL - REMOVE EITHER X1 OR X2

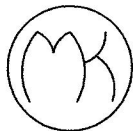
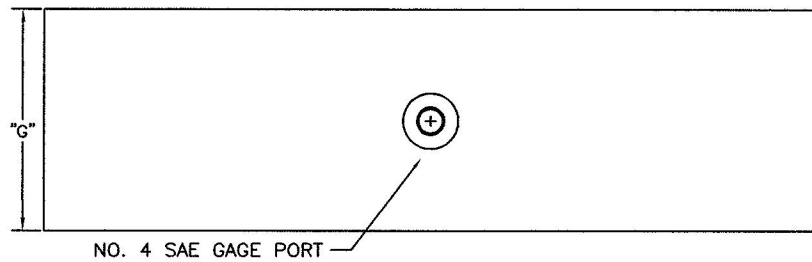
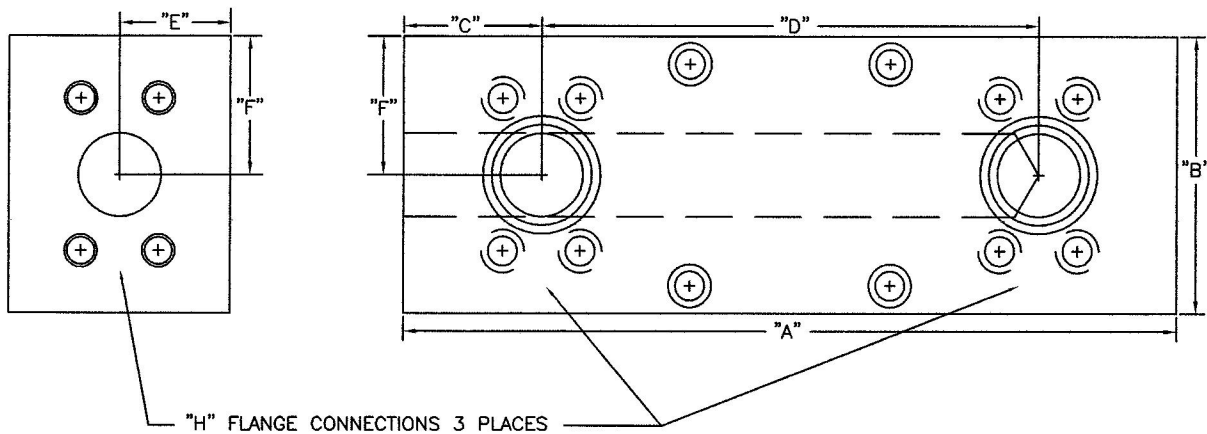


MED-KAS HYDRAULICS, INC.  
 P.O. BOX 1163      1419 JOHN R  
 TROY, MI. 48099      TROY, MI. 48083  
 TEL: 248-585-3220      FAX # 248 585-0646  
 WEB SITE: www.med-kas.com      E-MAIL: info@med-kas.com

# MOUNTING HEADER FOR UNG CARTRIDGE BLOCKS

(AVAILABLE FOR COMMON "A" PORTS ONLY)

MODEL	A	B	C	D	E	F	G	H
H2-16-6	8.50	3.50	1.75	5.00	1.12	1.75	2.25	3/4
H2-25-10	11.00	4.00	2.00	7.00	1.50	2.00	3.00	1-1/4
H2-32-12	14.00	5.00	2.50	9.00	2.00	2.50	4.00	1-1/2
H2-40-16	14.500	5.50	2.75	9.00	2.00	2.75	4.00	2.00
H2-50-20	17.50	6.50	3.25	11.00	2.50	3.25	5.00	2-1/2
H2-63-24	23.00	8.00	5.00	13.00	2.75	4.00	5.50	3.00



MED-KAS HYDRAULICS, INC.  
 P.O. BOX 1163 1419 JOHN R  
 TROY, MI. 48099 TROY, MI. 48083  
 TEL: 248-585-3220 FAX # 248 585-0646  
 WEB SITE: www.med-kas.com E-MAIL: info@med-kas.com

SPECIFICATIONS SUBJECT TO CHANGE WITHOUT NOTICE